



Smart Heatsinks®, Inc. introduces V-series, high performance, low cost and versatile heat sink with screw or clip for all kinds of standard packages. This type of heat sink provides both vertical and horizontal mounting options on PCB to accommodate natural and forced convection cooling method.

FEATURES AND BENIFITS

- Minimum assembly cost and labor**
 Spring Clips make the mounting holes and fasteners obsolete in assembly operations & reduce costs.
- Dual Modes Thermal Transfer**
 Efficient cooling with either natural or forced convection heat transfer mode by different orientation mouting.
- Design Flexibility**
 Universal mountable and “one fits all” give designers total freedom to fit their packaging designs with ideal device pak style and to orient the heat sink to meet their power dissipations with optimized cooling method.

SPECIFICATOINS

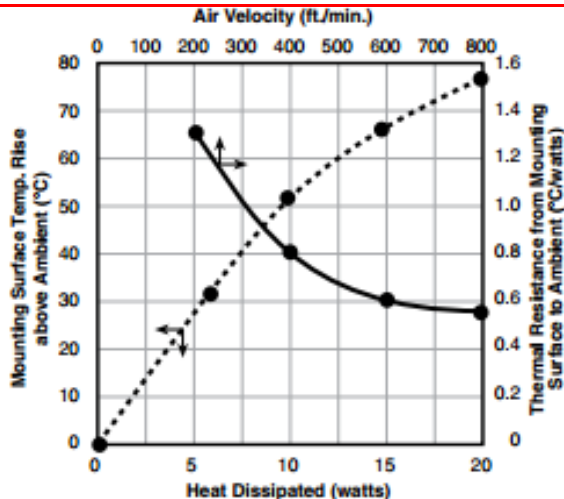
Heat Sink: Aluminum Alloy 6063-T5 or Equivalent with either degreased or black anodized finish.

Spring Clip: Music Wire, Per ASTM A228 with bright nickel plating

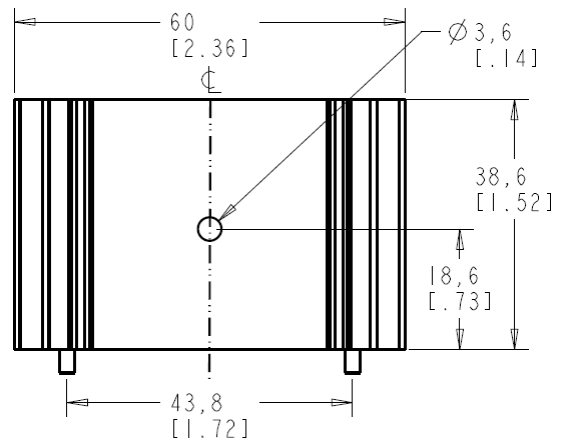
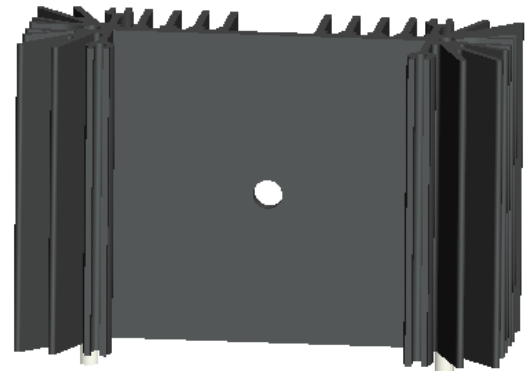
Solder Foot: Cold-rolled Steel, Per ASTM A-366 with pure tin over copper strike. RoSH compliant.

Insulator (Optional): t-Global H48-1, L37-3F and H48-6S. The thickness of the insulating material not to exceed 10 mil (0.01”).

THERMAL PERFORMANCE

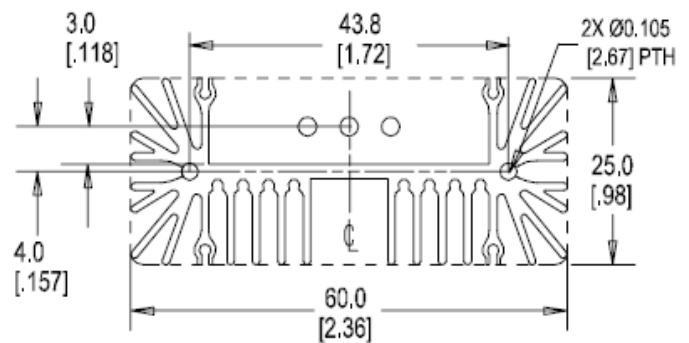


VV- 1S-38-D/B & VV- 1C-38-D/B - Vertical



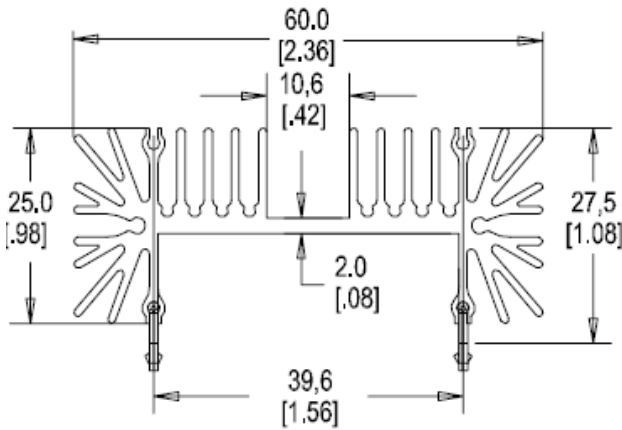
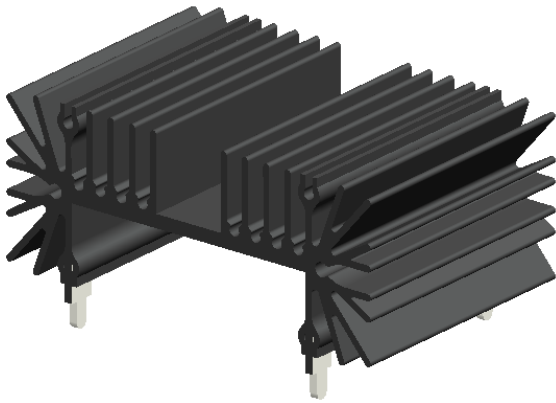
Heat Sink Part Number	Surface Area (in ² / mm ²)	Weight (oz/g)	Accessory
VV -1S -39-D			1 screw, nut and washers
VV -1S -39-B	39.6/25,546	1.48/42	
VV -1C -39-D			1 spring clip
VV -1C -39-B			

LAND PATTERN



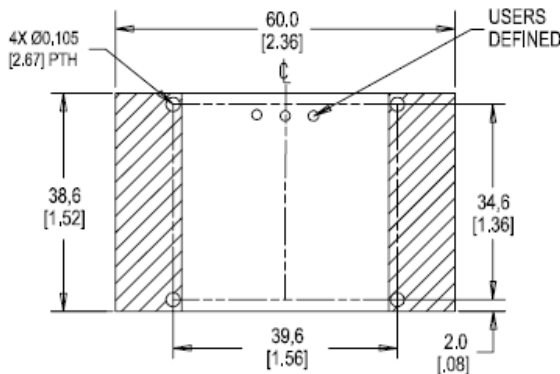


VH- 1S-38-D/B & VH- 1C-38-D/B – Horizontal

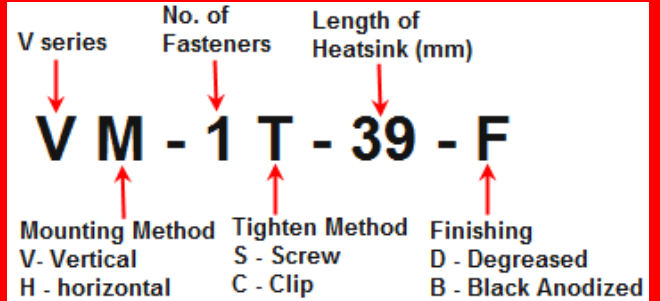


Heat Sink Part Number	Surface Area (in ² / mm ²)	Weight (oz/g)	Accessory
VH -1S -39-D			1 screw, nut and washers
VH -1S -39-B	39.6/25,546	1.48/42	
VH -1C -39-D			1 spring clip
VH -1C -39-B			

LAND PATTERN



HEAT SINK PART NUMBER INFORMATION



STANDARD PART NUMBER FOR V - SERIES HEATSINKS

Part Number	Descriptions	Packaging
VV-1S-39-D	Heatsink, degreased	Bulk
VV-1S-39-B	Heatsink, black anodized	Bulk
VV-1C-39-D	Heatsink, degreased	Bulk
VV-1C-39-B	Heatsink, black anodized	Bulk
VH-1S-39-D	Heatsink, degreased	Bulk
VH-1S-39-B	Heatsink, black anodized	Bulk
VH-1C-39-D	Heatsink, degreased	Bulk
VH-1C-39-B	Heatsink, black anodized	Bulk

Notes:

[1] Heat sink height refers to the height above PCB

[2] Heat sink length can be customized without paying tooling charges, but need to meet MOQ.

[3] Horizontal mounted Heat sink requires devices' leads to be bended 90 degree for through hole soldering.

[4] If select clip for securing the device, there is no hole on the heat sink by default.

[5] t-Global L37-3F (0.25mm thick, 1.4 W/M K thermal conductivity) used between the component and heat sink



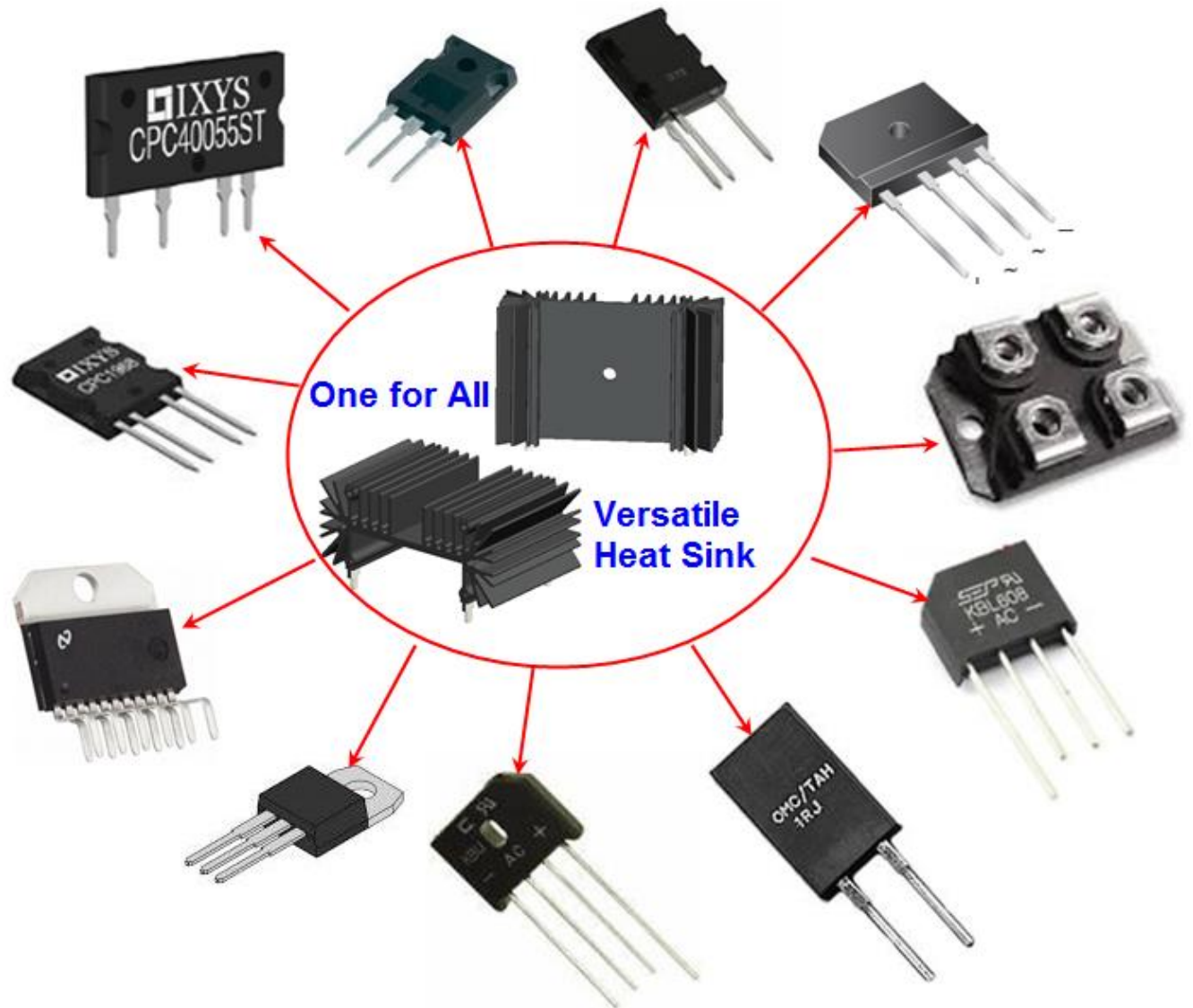
Smart Heatsinks
Unlike Any Others

V-Series Universal Mount Heat Sinks

For all kinds of device packages



One Heat sink fits all the kinds of packages





Smart Heatsinks
Unlike Any Others

V-Series Universal Mount Heat Sinks

For all kinds of device packages



The Different Packages Assembled on Heat Sink By Fasteners or Clips

