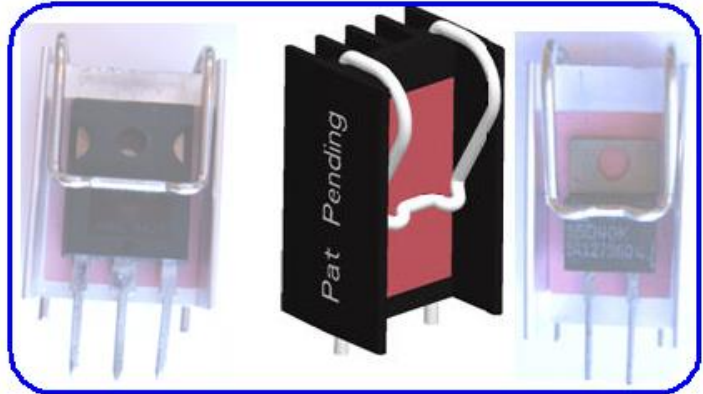




SMART HEATSINKS UNIVERSAL MOUNTABLE, AUTO-ALIGN HEAT SINKS

Smart Heatsinks®, Inc. introduces an innovation in SMT or THMT heat sinks to meet the needs of newer higher power semiconductors. The heat sinks' unique design (Patent Pending) combines the tin plated solderable integral spring clip with an extruded aluminum anodized or painted heat sink body to configure these heat sinks to be universal mountable onto PCB. Unlike any others, this type of heat sink provides ease of assembly and **all-in-one solution (one part does all)**. It can be configured to mount single or multiple devices, such as TO-220, TO-247, TO-264, TO-218 and D-Pak series power devices with either natural or forced convection cooling.



FEATURES AND BENEFITS:

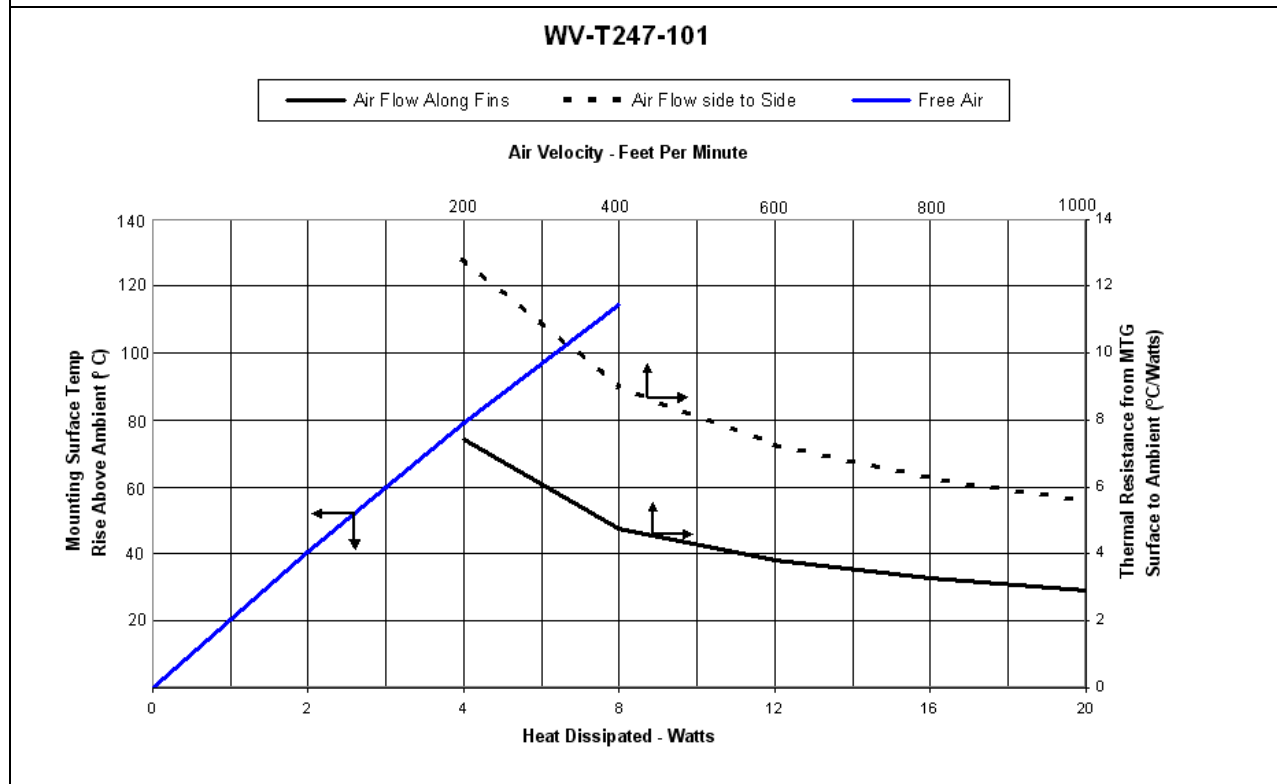
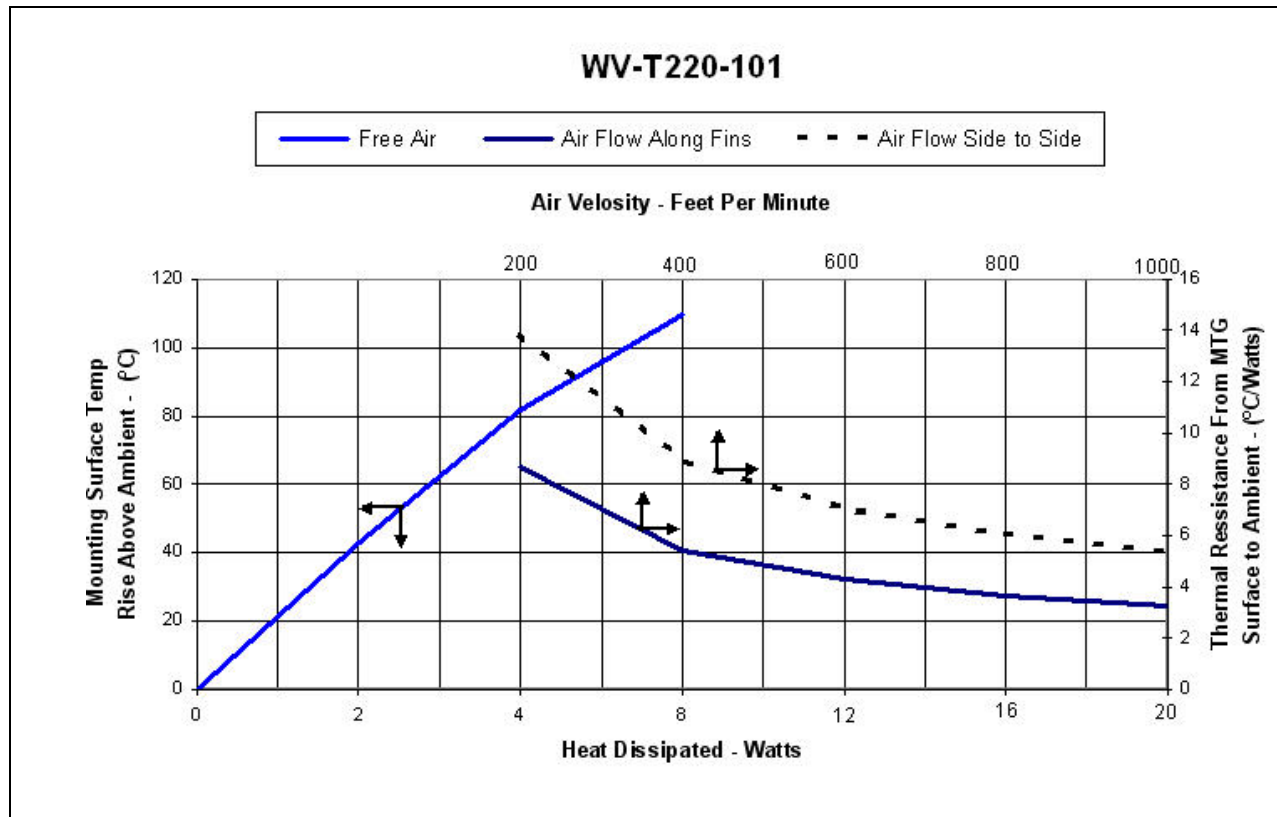
- **Minimum assembly cost and labor**
Spring clip and auto-align feature makes fasteners and fixtures obsolete in assemblies.
- **Maximum Repeatability**
Clamping force on devices by resilient spring can be loaded and unloaded repeatedly without degrading the clamping force.
- **Maximum Heat Transfer per Unit Space**
Maximum surface area per unit volume and consistent mounting force reduce thermal resistance
- **Maximum Resistance to Shock & Vibration**
Light weight and resilient spring clip locks electronic component in place to provide maximum resistance to shock and vibration
- **Maximum Reliability**
Resilient spring action locks electronic component in place and few parts in assembly. Prevent short circuit by eliminating metal particles generated from hardware or thread tapping.
- **Design Flexibility**
Provide the maximum flexibility for various mounting options: through hole or surface mounting, vertical or horizontal mounting & custom the dimensions to meet the design needs without costly tooling alteration

APPLICATIONS:

- *Power Suppliers*
- *Telecommunications*
- *Motor controls*
- *Medical Equipment*
- *Avionic Electronic*
- *Military Electronic*
- *Consumer Products*
- *Green Energy Products*



PERFORMANCE:





Smart Heatsinks
Unlike Any Others

SHS UNIVERSAL MOUNTABLE,
AUTO-ALIGN ALL-IN-ONE HEAT
SINKS for TO-220, TO-247 & TO-264



MECHANICAL OUTLINE:

FOOTPRINTS:

WV-T247-101 or WV-T264-101	
Through-hole Mounting (inch)	Recommended PCB Footprint w/sil-pad
Surface Mounting	Recommended PCB Foot-print
WV-T220-101	
Through-hole Mounting (inch)	Recommended PCB Footprint w/sil-pad
Surface Mounting	Recommended PCB Foot-print



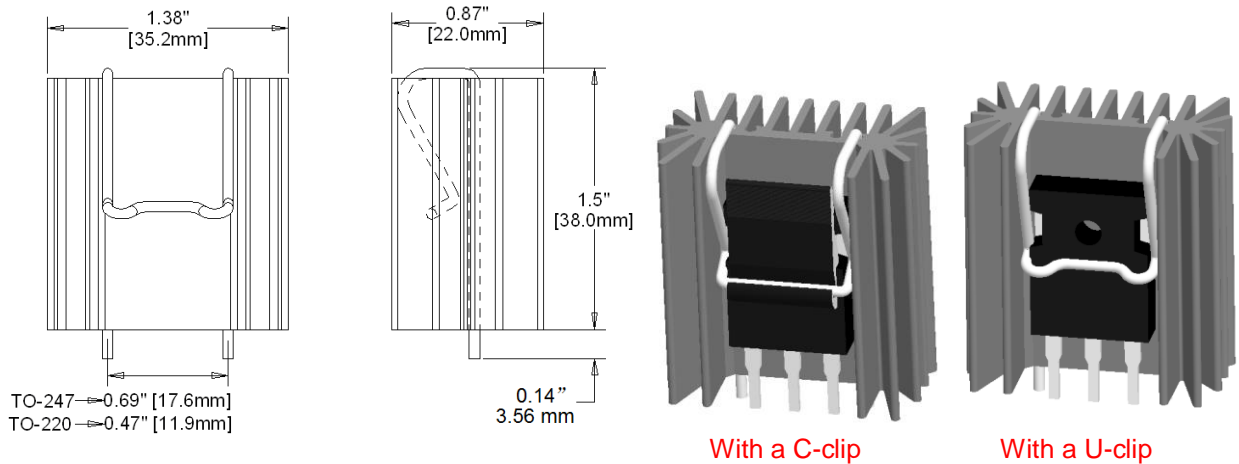
Smart Heatsinks
Unlike Any Others

SHS UNIVERSAL MOUNTABLE,
AUTO-ALIGN ALL-IN-ONE HEAT
SINKS for TO-220, TO-247 & TO-264



Universal Combo-Heatsinks

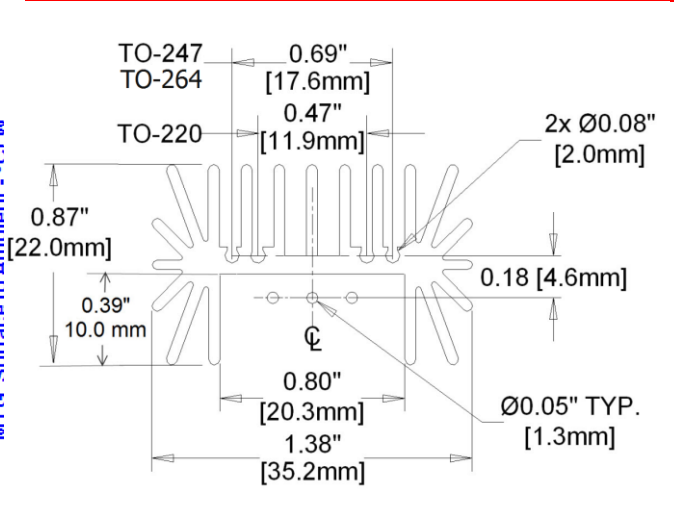
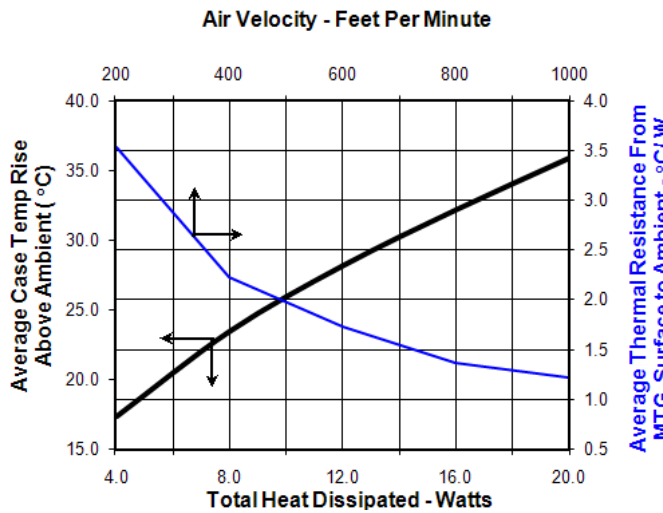
Smart Heatsinks introduces a universal mount Series (patent pending) combo heatsink which “kills three birds with one stone”. One heat sink can fit TO-220 or TO-247 or TO-264 package with the option of using C or U clip.



SPECIFICATIONS				CONFIGURATION INFO		
Heat Sink Part Number	Surface Area (in ² / mm ²)	Weight (oz/g)	Thermal Resistance*	Series	Clip Type: U - U-clip C - C-clip	Height (mm)
WV-UT4-138-D	21 / 13,579	5.9 / 27	5.0 °C/W	WV - UT4-138 - B	↓	↓
MV-UT4-138-B	21 / 13,579	5.9 / 27	4.0 °C/W			
WV-CT4-138-D	21 / 13,579	6.4 / 29	5.0 °C/W			
MV-CT4-138-B	21 / 13,579	6.4 / 29	4.0 °C/W			
				Mounting: V - Vertical H - Horizontal	Package: T2 - TO-220 T4 - TO-247 T6 - TO-264	Finish: D - Degreased B - Black Anodized

Free Convection @20 Watts

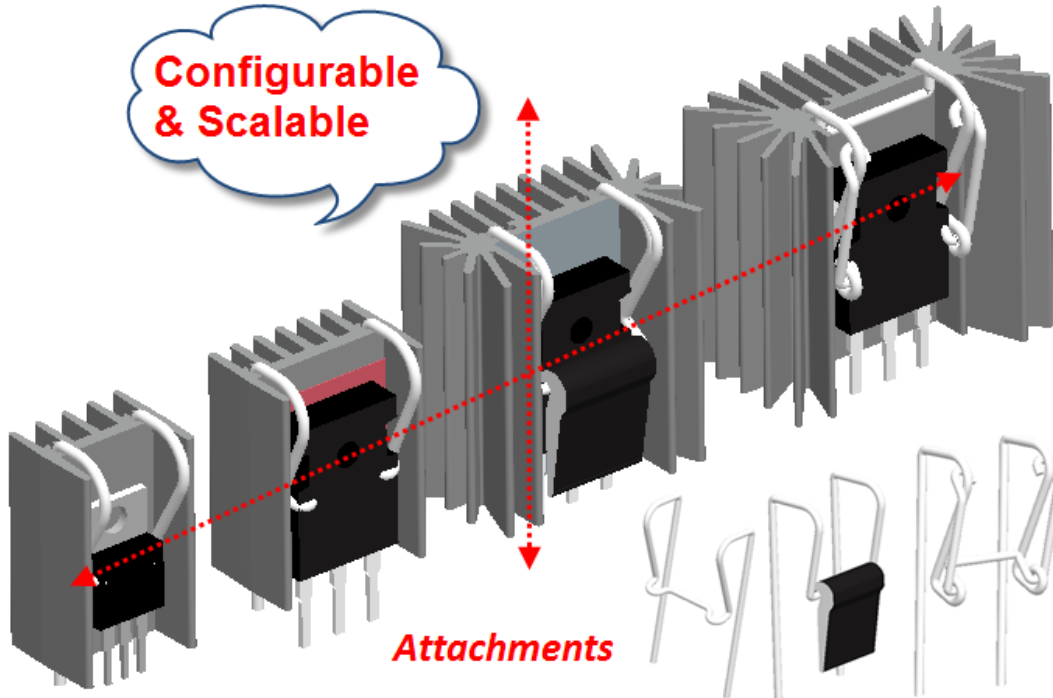
THERMAL PERFORMANCE LAND PATTERN





Smart Heatsinks
Unlike Any Others

SHS UNIVERSAL MOUNTABLE,
AUTO-ALIGN ALL-IN-ONE HEAT
SINKS for TO-220, TO-247 & TO-264



ORDERING INFORMATION:

Single Package Heat Sinks

Part Number	Descriptions	Packaging
WV-T220-101-D	Heat sink for TO-220, degreased	Bulk
WV-T220-101-B	Heat sink for TO-220, black anodized	Bulk
WV-T247-101-D	Heat sink for TO-247and TO-264, degreased	Bulk
WV-T247-101-B	Heat sink for TO-247and TO-264, black anodized	Bulk

3 in 1 Package Combo Heat sinks

Part Number	Descriptions	Packaging
WV-UT2-138-D	Heatsink for TO-220, degreased, with U-clip	Bulk
WV-UT2-138-B	Heatsink for TO-220, black anodized, with U-clip	Bulk
WV-CT2-138-D	Heatsink for TO-220, degreased, with C-clip	Bulk
WV-CT2-138-B	Heatsink for TO-220, black anodized, with C-clip	Bulk
WV-UT4-138-D	Heatsink for TO-247, degreased, with U-clip	Bulk
WV-UT4-138-B	Heatsink for TO-247, black anodized, with U-clip	Bulk
WV-CT4-138-D	Heatsink for TO-247, degreased, with C-clip	Bulk
WV-CT4-138-B	Heatsink for TO-247, black anodized, with C-clip	Bulk
WV-UT6-138-D	Heatsink for TO-264, degreased, with U-clip	Bulk
WV-UT6-138-B	Heatsink for TO-264, black anodized, with U-clip	Bulk
WV-CT6-138-D	Heatsink for TO-264, degreased, with C-clip	Bulk
WV-CT6-138-B	Heatsink for TO-264, black anodized, with C-clip	Bulk