



LED 400 Series Heat Sinks



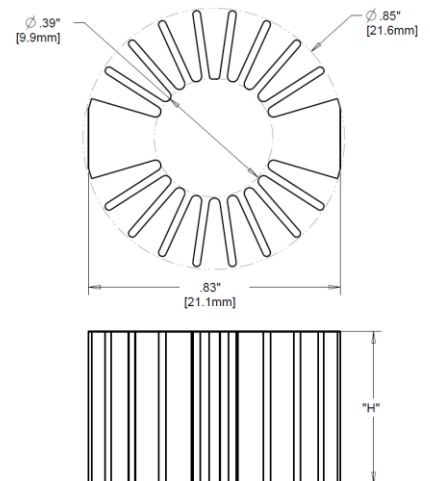
Smart Heatsinks, Inc. offers the standard, LED 400 series, low cost, high performance, compact and radial heat sinks for power LED modulus, such as Lumileds, Osram and others. This simple heat sink can hold LED modules and can be mounted simply with some screws. The heat sink has two types of surface finishes, and can be used in either natural (free) or forced convection cooling applications.

SPECIFICATOINS

Heat Sink: Aluminum Alloy 6063-T5 or Equivalent with either degreased or black anodized finish.

Mounting Hardware: Metric or unified screws, SS screws are preferred

Compliance: Either degreased or black anodized finished parts are compliant with RoSH.



| Standard Part Number | Height "H" (in / mm) | Surface Area (in ² / mm ²) | Weight (oz / g) | Thermal Resistance* |
|----------------------|-------------------------|--|--------------------|---------------------|
| SHS-LED-414-D | 0.55 / 14.0 | 5.3 / 3,419 | 0.23 / 6.5 | 9.0 °C/w |
| SHS-LED-414-B | | | | 6.7 °C/w |
| SHS-LED-425-D | 0.98 / 25.0 | 9.5 / 6,129 | 0.41/11.6 | 5.6 °C/w |
| SHS-LED-425-B | | | | 4.2 °C/w |

*Free Convection

CUSTOMIZED VERSION



ORDERING INFORMATION

| Standard P/N | Descriptions | Packaging |
|---------------|---------------------------|-----------|
| SHS-LED-414-D | Degreased, 14.0mm LG | Bulk |
| SHS-LED-414-B | Black Anodized, 14.0mm LG | Bulk |
| SHS-LED-425-D | Degreased, 25.0mm LG | Bulk |
| SHS-LED-425-B | Black Anodized, 25.0mm LG | Bulk |